

TT 49/73

- MULTISCALE AND MULTIFUNCTION TIMERS
- UP TO 2 OUTPUTS
- WITH BACK UP BATTERY



FEATURES

DISPLAY	TT49	TT73
Single	4 red digit, h 12 mm	4 red digit, h 14 mm
INPUTS		
Digital inputs	2 for free voltage contacts or 2 for voltage contacts (the same of the power supply)	
Delay time inputs	15 msec max.	
OUTPUTS		
Up to 2	OUT 1 and OUT 2: Relay SPDT (8A-AC1, 3A-AC3/250 Vac) or 12 Vdc/15 mA to drive SSR	
FUNCTIONAL		
Programmable functions	OUT 1: Delayed, Feedthrough, oscillator (start/stop) with asymmetric times start ON, or start OFF, One cycle asymmetric oscillator (start/stop) with start OFF, OUT 2: as OUT 1, as instant contact, as OUT 1 but with another independent time, as OUT 1 but with another relative time	
Programmable time scales	9999 hrs - 99 hrs 59 min - 99 min 59 sec - 99 sec 99 cent. sec	
Counting mode	UP or DOWN	
Display resolution	According to the used scale : hrs - min - sec - Cent sec	
Counting autonomy without power supply	Approx. 10 hrs with full load battery	
GENERAL		
Power supply	12 Vac/Vdc, 24 Vac/Vdc, 90... 240 Vac/Vdc ±10% (50/60 Hz)	
Power consumption	2 VA approx.	
Power consumption with battery supply	4.5 mA approx.	
Battery (*)	Internal 3.6 V - rechargeable	
Power consumption voltage inputs	1 mA max.	
Dimensions / Weight	48 x 48 mm (1/16DIN) - depth 98 mm / 200 g approx.	72 x 72 mm - depth 96 mm / 270 g approx.
Connections	Screw terminal block 2x1 mm ²	
Mounting	Flush in panel in 45 x 45 mm hole	Flush in panel in 66.5 x 66.5 mm hole
Front protection degree	IP 54, mounted on panel with gasket	
Operating / storage temperature	0... 50°C (32... 122°F) / -20... 70°C (-4... 158°F)	
Operating humidity	30... 95 RH% without condensation	
Conformity	Directive CEE EMC 2004/108/CE (EN 61326), Directive CEE BT 2006/95/CE (EN 61010-1)	

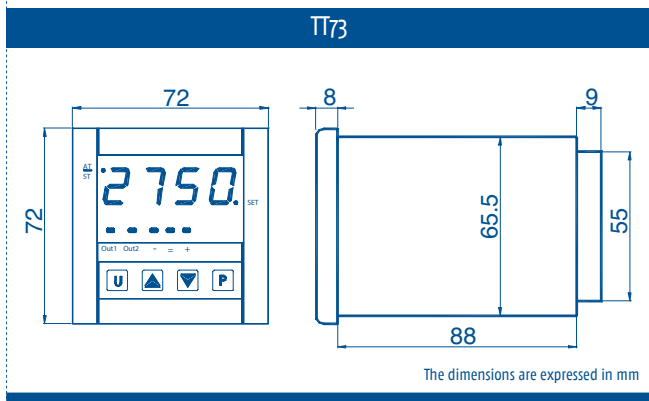
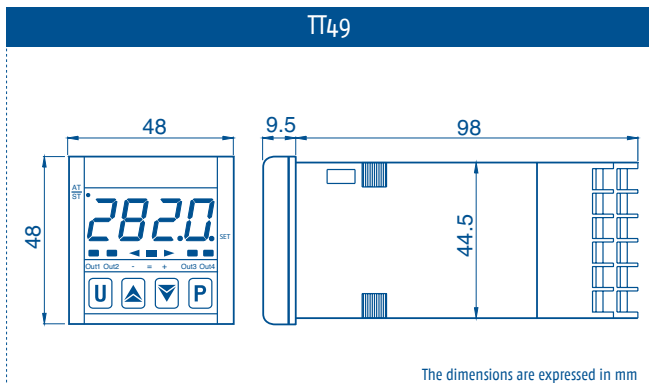
(*) Note: The battery is used to keep counting even in the absence of supply.

HOW TO ORDER

To compose the part number, pls. choose one of the option for each variable

TT49 / TT73	CODE
POWER SUPPLY	
12 Vac/Vdc	F
100... 240 Vac/Vdc	H
24 Vac/Vdc	L
INPUT	
Voltage	V
Free voltage	C
OUT 1 + OUT 2	
Relay	RR
Vdc for SSR driving	00
BATTERY	
Internal	B
No battery	-

DIMENSIONS



CONNECTIONS

