

TLCD

- LCD INDICATORS
- INTERNAL BATTERY SUPPLY
- WITH OR WITHOUT SOLAR CELL



FEATURES

DISPLAY	TLCD 02	TLCD 12	TLCD 03	TLCD 05	TLCD 60	TLCD 68
Single LCD	2 digit	2 digit + decimal point	2 digit	2 digit + decimal point		
INPUT						
One	External temperature sensor, wired to the instrument through a cable					
Sensor's cable length	50cm, 2m, 3m	50cm, 3m	10cm, 1.5m, 3m, 6m	3m	75cm, 2m	40cm, 3m
Accuracy	± 1°C	± 1°C/ ±2°F	± 1°C		± 0.5°C (-30...+50°C) Other ranges ±1°C	± 1°C
GENERAL						
Power supply	1.5 Vdc battery (LR44 or equivalent)			Solar cell and lithium battery (CR2032)	Solar cell	1.5 Vdc battery (LR44 or equivalent)
Power consumption	5 µA approx.					
Dimensions	48.2 X 28.7 mm, depth 16.8 mm		62.2 x 29.5 mm, depth 18.7 mm	105 x 38 mm, depth 12 mm	62.2 x 29.5 mm, depth 18.7 mm	60 x 26 mm, depth 15 mm
Mounting	Flush in panel					
Front protection degree	IP65					IP68
Battery location	Back side		Front side	Back side	--	Back side
Case colour	White or black			Grey	White or gray	Black
FUNCTIONAL						
Measuring range	-50... +70°C	-50.0... +70.0°C / -58.0°F...+158.0°F	-50... +70°C oppure -50... +100°C	-50... +70°C	-50.0... +99.9°C	-50... +70°C
Unit of measurement	°C	°C o °F, on request	°C			
Operating / storage temperature	0... +55°C (32... +311°F) / -30... 70°C (-22... 158°F)					
Operating humidity	30... 95 RH% without condensation					
Conformity	CE					

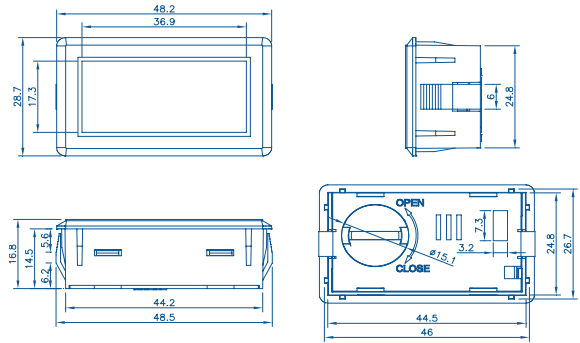
HOW TO ORDER

To compose the part number, pls. choose one of the option for each variable

TLCD	CODE
DIMENSION AND MODEL	
48 x 28.6 mm - Battery on the back side	02
48 x 28.6 mm - Battery on the back side + Decimal point	12
62 x 29 mm - Battery on the front side	03
105 x 38 mm - Solar cell	05
62.2 x 29.5 mm - Solar cell	60
60 x 26 mm - IP68 Battery on the back side	68
SENSOR'S CABLE LENGHT	
10 cm (TLCD 03)	01
40 cm (TLCD 68)	04
50 cm (TLCD 02, TLCD 12)	05
1.5 m (TLCD 03)	A5
75 cm (TLCD 60)	A7
2 m (TLCD 02, TLCD 60)	20
3 m (excluded TLCD 60)	30
6 m (TLCD 03)	60
CASE COLOUR	
White (TLCD 02, TLCD 12, TLCD 03, TLCD 60)	W
Black (TLCD 02, TLCD 12, TLCD 03, TLCD 68)	B
Grey (TLCD 05, TLCD 60)	G
UNIT OF MEASUREMENT - RANGE	
°C - Range -50... +70°C	-
°F - Range -50... +70°F (TLCD 12)	FA
°C - Range -50... +100°C (TLCD 03)	H

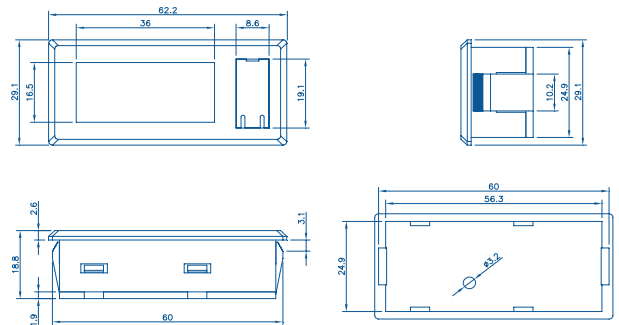
DIMENSIONS

TLCD02 / TLCD12



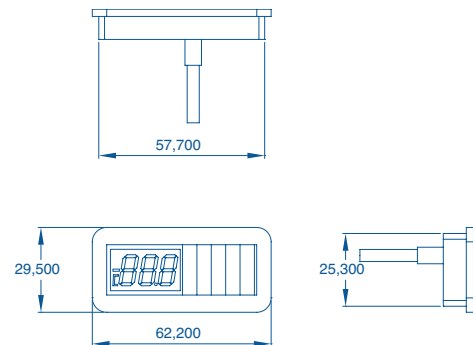
The dimensions are expressed in mm

TLCD03



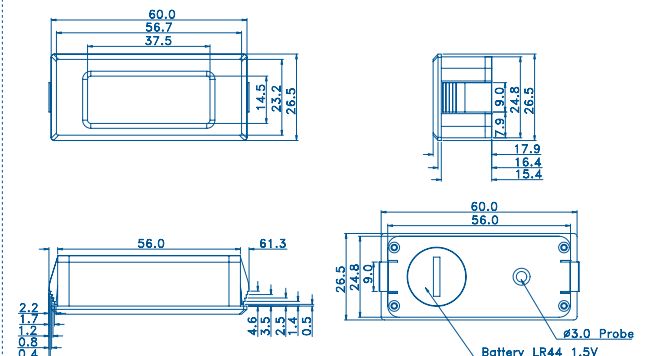
The dimensions are expressed in mm

TLCD60



The dimensions are expressed in mm

TLCD68



The dimensions are expressed in mm