

# TC 34/49/73

- MULTIFUNCTION AND MULTIFREQUENCY COUNTERS
- UP TO 2 OUTPUTS



## FEATURES

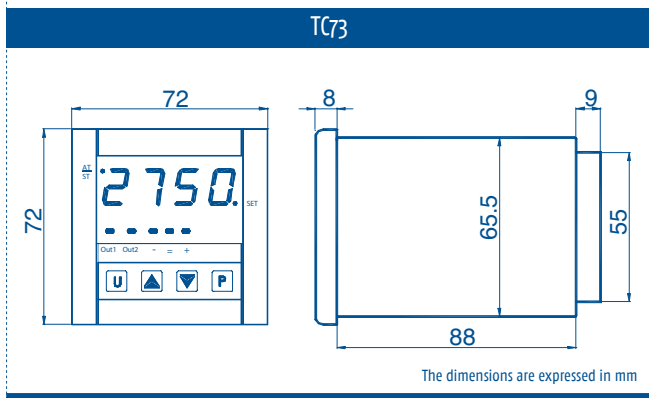
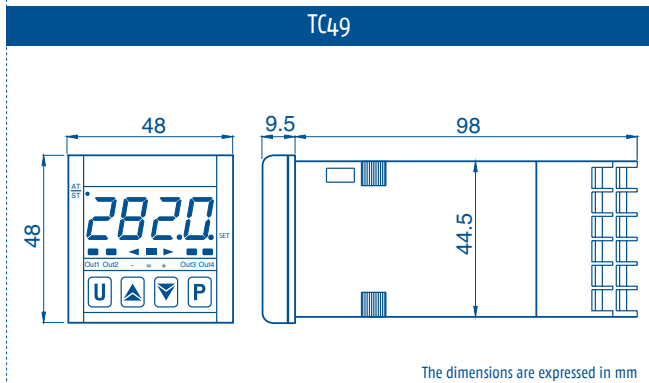
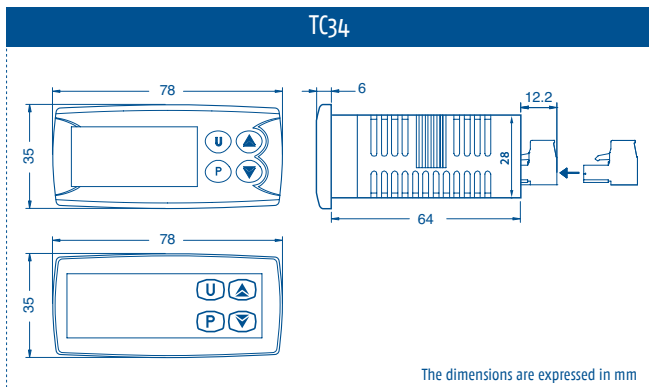
|                                  | TC34   | TC49  | TC73                                     |
|----------------------------------|--|---|--|
| <b>DISPLAY</b>                   |  |   |  |
| Single                           | 4 red digit, h 12 mm   |   | 4 red digit, h 14 mm                     |
| <b>INPUTS</b>                    |  |   |  |
| Digital inputs                   | 2 for free voltage contacts or 2 for voltage contacts (the same of the power supply) |   |  |
| Delay time inputs                | 15 msec max.   |   |  |
| <b>OUTPUTS</b>                   |  |   |  |
| Up to 2                          | OUT 1 and OUT 2: Relay SPDT (8A-AC1, 3A-AC3/250 Vac) or 12 Vdc/15 mA to drive SSR    |   |  |
| <b>FUNCTIONAL</b>                |  |   |  |
| Programmable functions           | Restart - Restart/Lap - Count  |   |  |
| Frequenza di conteggio           | 2 - 10 - 40 - 125 - 1000 Hz. Programmable  |   |  |
| Counting mode                    | UP or DOWN   |   |  |
| Display resolution               | 9999   |   |  |
| Back up memory                   | Programmable Back-up function in case of power supply failure                        |   |  |
| <b>GENERAL</b>                   |  |   |  |
| Power supply                     | 12 Vac/Vdc, 24 Vac/Vdc, 90... 240 Vac/Vdc $\pm 10\%$ (50/60 Hz)                      |   |  |
| Power consumption                | 3 VA approx.   |   |  |
| Power consumption voltage inputs | 1 mA max.  |   |  |
| Dimensions / Weight              | 33 x 75 mm - depth 64 mm / 175 g approx.   | 48 x 48 mm (1/16 DIN) - depth 98 mm / 200 g approx. | 72 x 72 mm - depth 96 mm / 270 g approx. |
| Connections                      | Screw terminal block 2x1 mm <sup>2</sup>   |   |  |
| Mounting                         | Flush in panel in 29 x 71 mm hole  | Flush in panel in 45 x 45 mm hole                   | Flush in panel in 66.5 x 66.5 mm hole    |
| Front protection degree          | IP 65, mounted on panel with gasket  | IP 54, mounted on panel with gasket                 |  |
| Operating / storage temperature  | 0... 50°C (32... 122°F)/-20... 70°C (-4... 158°F)                                    |   |  |
| Operating humidity               | 30... 95 RH% without condensation  |   |  |
| Conformity                       | Directive CEE EMC 2004/108/CE (EN 61326), Directive CEE BT 2006/95/CE (EN 61010-1)   |   |  |

# HOW TO ORDER

To compose the part number, pls. choose one of the option for each variable

| TC34 / TC49 / TC73   | CODE |
|----------------------|------|
| <b>POWER SUPPLY</b>  |      |
| 12 Vac/Vdc           | F    |
| 100... 240 Vac/Vdc   | H    |
| 24 Vac/Vdc           | L    |
| <b>INPUT</b>         |      |
| Voltage              | V    |
| Free voltage         | C    |
| <b>OUT 1 + OUT 2</b> |      |
| Relay                | RR   |
| Vdc for SSR driving  | 00   |

# DIMENSIONS



# CONNECTIONS

