

# TC42

- TIMER, COUNTER, POWER LIMITER
- UP TO 2 OUTPUTS
- NFC PROGRAMMING



## FEATURES

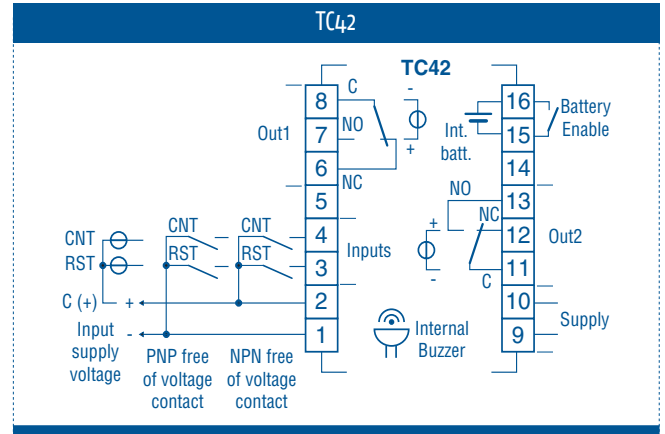
DISPLAY	
Dual display	<p style="text-align: center;"><b>TC42</b></p> <p>Upper display: 4 white or red digits h 15.5 mm                      Lower display: 4 orange or green digits h 7 mm                      The possible combinations are white-orange or red-green</p>
INPUTS	
Digital inputs	2 digital inputs CNT (count enable) and RST (reset) for free voltage contacts, or in voltage (the same as the power supply)
OUTPUTS	
Up to 2	Relay SPDT 8A 1/2 HP 250V (EN61810 8 (3) A - EN60730 8 (4) A - UL 60730 10A Res.) or static 12 VDC / 15 mA max.
Relay electrical life	100.000 operations
FUNCTIONAL	
Timer measurement range	4 programmable time scales: 9999 hours, 99 hours 59 min., 99 min. 59 sec., 99 sec. 99 cents
Timer display resolution	According to the scale used: hours, minutes, seconds, hundredths of a second
Timer total accuracy	± 0.1 % fs
Counter measurement range	9999
Counter max counting frequency	200 Hz
NFC programming	Optional
GENERAL	
Power supply	12 Vac/Vdc, 24 Vac/Vdc, 100... 240 Vac/Vdc ±10% (50/60 Hz)
Power consumption	3 VA approx.
Dimensions / Weight	48 x 48 mm (1/16 DIN) - depth 62.3 mm / 125 g approx.
Connections	Screw terminal block or removable terminal block for cables 0.2... 2.5 mm <sup>2</sup> / AWG 24... 14
Mounting	Flush in panel in 45 x 45 mm hole
Front protection degree	IP 65, mounted on panel with gasket and screw brackets
Operating / storage temperature	0... 50°C (32... 122°F) / -20... 70°C (-4... 158°F)
Operating humidity	Lower than 95 RH% without condensation / 30... 95 RH% without condensation
Conformity	Directive LV 2014/35/EU (EN 60730-1, EN 60730-2-7, EN61812-1, UL 508) Directive EMC 2014/30/EU (EN55011: class B; EN61000-4-2: 8KV air, 4KV cont.; EN61000-4-3: 10V/m; EN61000-4-4: 2KV supply and relay outputs, 1KV inputs; EN61000-4-5: supply 2KV com. mode, 1 KV diff. mode; EN61000-4-6: 3V).

## HOW TO ORDER

To compose the part number, pls. choose one of the option for each variable

TC42	CODE
<b>NFC PROGRAMMING</b>	
Available	N
Not available	-
<b>POWER SUPPLY</b>	
12 Vac/Vdc	F
100... 240 Vac/Vdc	H
24 Vac/Vdc	L
<b>INPUTS</b>	
For free voltage contacts / NPN-PNP input logic	L
Voltage signals (the same as the power supply)	V
<b>OUT 1</b>	
Relay SPDT 8A res.	R
Vdc for SSR driving	0
<b>OUT 12</b>	
Relay SPDT 8A res.	R
Vdc for SSR driving	0
Not available	-
<b>BUZZER</b>	
Available	B
Not available	-
<b>INTERNAL BATTERY</b>	
Available	B
Not available	-
<b>CONNECTIONS</b>	
Screw terminal block	V
Complete plug-in connection p. 5.00	E
Plug-in connection p. 5.00 (fix part only)	N
<b>DISPLAY</b>	
White-orange (Standard)	J
Red-green	K

## CONNECTIONS



## DIMENSIONS

