

# SSR-

- SOLID STATE RELAY SINGLE PHASE IN AC
- ZERO-CROSSING SWITCHING
- WITH BUILT-IN LED AND VARISTOR



## FEATURES

### PRODUCT DESCRIPTION

#### SSR- (RM1A)

#### SSR- (RAM)

The relay switching zero-crossing with antiparallel thyristor output is the solid state relay used in most industrial applications, thanks to the multiplicity of possible applications. This relay can be used for resistive, inductive and capacitive loads. The relay switching zero-crossing is activated when the voltage passes through zero and turns off when the current passes through zero. The cap provides protection against accidental contact up to IP 20. The output terminals with protection may contain cable up to 16 mm<sup>2</sup>. The built-in varistor (RM1A) or the built-in filter (RAM) provide protection from voltage transients and the LED indicates the status of the control input.

### INPUT

Control voltage	SSR23050D (3... 32 VDC)	SSR48050D (4... 32 VDC)	4... 32 VDC
Activation voltage @ Ta=25°C	SSR23050D (2.5 VDC)	SSR48050D (3.5 VDC)	3.5 VDC
Reverse Voltage	≤ 32 VDC		
OFF voltage	≤ 1.2 VDC		
Input current with max. input voltage	≤ 12 mA		
ON response time	≤ 1/2 cycle		
OFF response time	≤ 1/2 cycle		

### OUTPUT

Rated current AC 51 – AC53a	50 Arms – 15 Arms	25,50,75,100,125 Arms – 5,15,17,20,30 Arms depending on the model
Minimum operating current	250 mA	150 mA
Repetitive overcurrent t = 1 s	< 125 AC Arms	< 55, 250, 400, 500 AC Arms depending on the model
Non-repetitive overcurrent t=10 ms	600 A <sub>p</sub>	325, 600, 800, 1150, 1900 A <sub>p</sub> depending on the model
Leakage current at nominal voltages and frequencies	< 3 mArms	
I <sup>2</sup> t fusion t = 10 ms	≤ 1800 A <sup>2</sup> s	≤ 525, 1800, 3200, 660, 18000 A <sup>2</sup> s
Voltage drop at the nominal current	≤ 1.6 Vrms	
Critical switching dv / dt	1000 V/μs	

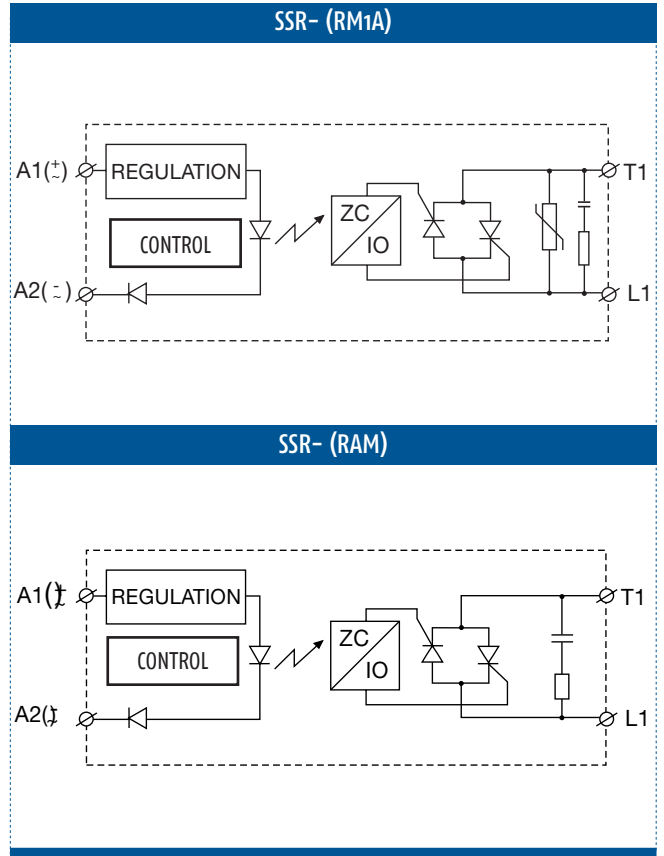
### GENERAL

Rated voltage	24... 265 VACrms, 42... 530 VACrms	42... 660 VACrms
Non-repetitive voltage	≥ 650 V <sub>p</sub> or ≥ 1200 V <sub>p</sub>	≥ 1200 V <sub>p</sub>
Switching voltage for zero	≤ 10 V	
Rated frequency	45... 65 Hz	
Power factor	> 0.5 @ 230 V rated or > 0.5 @ 480 V rated	> 0.5 @ 600 V rated
Weight	60g	
Connections	Fixing screw M5 type	
Isolation between Input / Output and Output / Case	≥ 4000 VACrms	
Operating Temperature/ storage	-20... +70°C / -40... +100°C	-40... +80°C / -40... +100°C
Certifications and Compliance	CE, UL, cUL, CSA	

## HOW TO ORDER

CODE	DESCRIPTION
SSR-23050D (RM1A23D50)	230V-50A-3... 32 VDC
SSR-48050D (RM1A48D50)	480V-50A-4... 32 VDC
SSR-60025D (RAM1A60D25 (Z))	600V-25A-4... 32 VDC
SSR-60050D (RAM1A60D50(Z))	600V-50A-4... 32 VDC
SSR-60075D (RAM1A60D75(Z))	600V-75A-4... 32 VDC
SSR-600100D (RAM1A60D100(Z))	600V-100A-4... 32 VDC
SSR-600125D (RAM1A60D125(Z))	600V-125A-4... 32 VDC

## FUNCTIONAL DRAWING



## DIMENSIONS

