

SEF/SBF

• FLOATING SERVOMOTORS
UP TO 20 NM OR 5 NM TORQUE



FEATURES

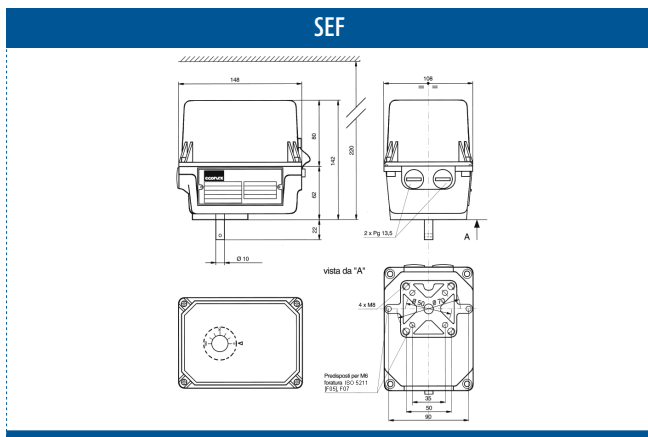
	SEF	SBF
MECHANICAL	Die-cast Aluminum	
Body and cover	Die-cast Aluminum	
Rated torque	4... 20 Nm	3... 5 Nm
Maintenance torque	4... 20 Nm	2.5... 5 Nm
Rotation torque	7... 120 s for 90°	7.5... 120 s at 50 Hz
Rotation Angle	Adjustable – Standard 90°	
Shaft	9.5 mm ² , squared	∅ 10 mm
FUNCTIONAL	Continuous 100%	
Functioning	Continuous 100%	
GENERAL	24, 115, 230 VAC (50/60 Hz)	
Power supply	24, 115, 230 VAC (50/60 Hz)	
Power consumption	Approx. 4... 7 VA	Approx. 4... 7 VA
Dimensions / Weight	Approx. 2.5 kg	Approx. 1.7 Kg
Cable glands	2 x Pg 13.5	
Mounting	In any position	
Electrical protection	IP54, according to IEC 529 or IP65 optional	
Operating temperature	- 10... +60°C	
ACCESSORIES	1 potentiometer from 150 Ω to 2.5 kΩ	
Potentiometer	1 potentiometer from 150 Ω to 2.5 kΩ	1 or 2 potentiometer from 150 Ω to 2.5 kΩ
Position indicator	Mechanical	
Auto/Man Control station and Open/Stop/Close Switch	Available	
Microswitches (optional)	2 auxiliary adjustable with free voltage contacts	2 auxiliary adjustable with free voltage contacts
Auxiliary shaft	∅ 8 mm (max. 3 Nm)	--
Connector	Multipolar for electrical connections	--

HOW TO ORDER

To compose the part number, pls. choose one of the option for each variable

SEF	CODE
POWER SUPPLY	
24 VAC ±10% (50/60 Hz)	A
115 VAC ±10% (50/60 Hz)	B
230 VAC ±10% (50/60 Hz)	C
ROTATION TORQUE / RATED TORQUE / STATIC TORQUE	
7.5 a 90° / 4 Nm / 4 Nm	0
15 a 90° / 7 Nm / 7 Nm	1
30 a 90° / 15 Nm / 11 Nm	2
60 a 90° / 20 Nm / 20 Nm	3
120 a 90° / 20 Nm / 20 Nm	4
FEEDBACK POTENTIOMETER	
Not available	00
1 potentiometer 150 Ω	11
1 potentiometer 1 kΩ	13
1 potentiometer 2.5 kΩ	15
1 potentiometer 5 kΩ	16
1 potentiometer 1 kΩ	18
2 potentiometers 2.5 kΩ	25
AUXILIARY MICRO	
Not available	0
2 units	2
ACCESSORIES	
Multipolar connectors	-M
Local Auto/Man Control station and Open/Stop/Close Switch	-S
IP65 Cable glands	-Z
Rotation 160°	16
Rotation 180°	18
Auxiliary shaft Ø 8 mm	A1
Auxiliary shaft 9.5 mm	A2
Flange F4	F4
Clockwise rotation	DX
Relay control (ON/OFF)	R1
More options together	MIX
For ex: Code SM=option -M+ option -S	

DIMENSIONS



Dimensions are expressed in mm

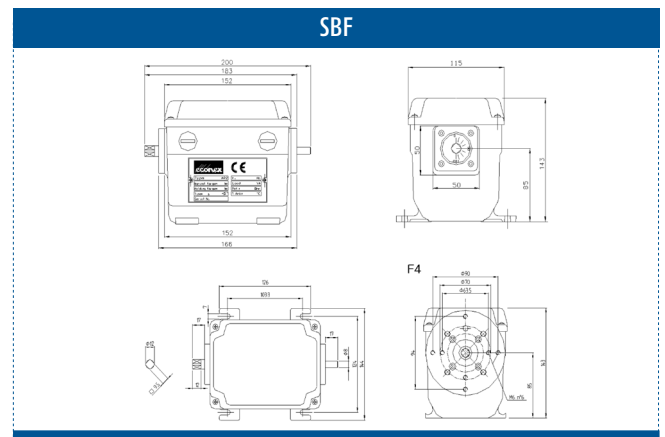
HOW TO ORDER

To compose the part number, pls. choose one of the option for each variable

SBF	CODE
POWER SUPPLY	
24 VAC ±10% (50/60 Hz)	A
115 VAC ±10% (50/60 Hz)	B
230 VAC ±10% (50/60 Hz)	C
ROTATION TORQUE / RATED TORQUE / STATIC TORQUE	
7.5 a 90° / 3 Nm / 2.5 Nm	0
15 a 90° / 3 Nm / 2.5 Nm	1
30 a 90° / 3 Nm / 2.5 Nm	2
60 a 90° / 5 Nm / 3 Nm	3
120 a 90° / 5 Nm / 3 Nm	4
FEEDBACK POTENTIOMETER	
Not available	00
1 potentiometer 150 Ω	11
1 potentiometer 1 kΩ	13
1 potentiometer 2.5 kΩ	15
1 potentiometer 5 kΩ	16
1 potentiometer 1 kΩ	18
2 potentiometers 2.5 kΩ	25
AUXILIARY MICRO	
Not available	0
2 units	2
ACCESSORIES	
Not available	--
Local Auto/Man Control station and Open/Stop/Close Switch	-S
Mechanical position indicator on the cover	-0
IP65 Cable glands	-Z
Rotation 180°	18
Clockwise rotation	DX
Relay control (ON/OFF)	R1

Note: on the auxiliary shaft the max. torque is 3 Nm to be subtracted to the rated torque.

DIMENSIONS



Dimensions are expressed in mm