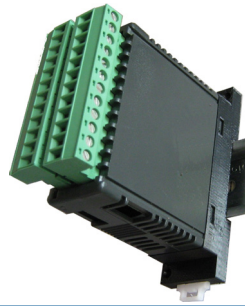


KRD3

- ANALOGUE CONTROL OUTPUT
- 8 SEGMENTS PROGRAMMER
- INDEPENDENT TIMER
- WORKING HOURS COUNTER

evolution



FEATURES

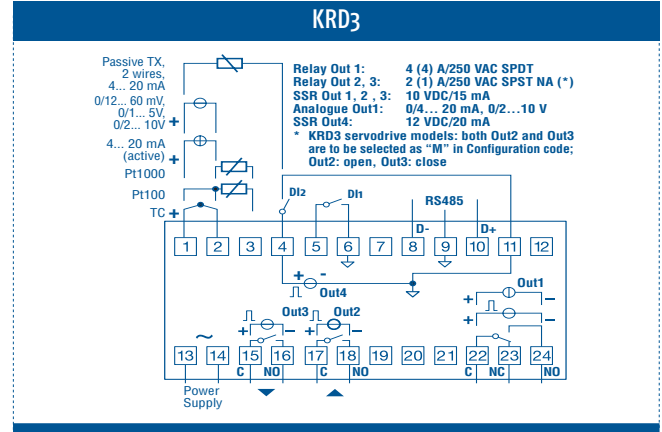
INPUTS	
Input	<p>Thermocouples: J (-50... +1000°C/-58... 1832°F), K (-50... +1370°C/-58... 2498°F), S/R (-50... +1760°C/-58... 3200°F), T (-70... +400°C/-94... 752°F)</p> <p>Infrared sensors: J or K</p> <p>Thermoresistances: 3 wires Pt 100 and 2 wires Pt 1000 (-200... 850°C/-328... 1562°F)</p> <p>Linear signals: 0/12... 60mV, 0/4... 20mA, 0/1... 5V, 0/2... 10V</p>
Accuracy	± 0.5% span ±1 digit, (±1% span ±1 digit for T/c S type)
Digital input	1, always on board
OUTPUTS	
Up to 4	<p>OUT 1: Relay SPDT 4A/240 Vac or voltage to drive SSR 13V max. @ 1mA, 10.5V min. @ 15mA ±10% or analogue galvanically isolated 0/4... 20 mA, 0/2... 10V (optional)</p> <p>OUT 2: Relay SPST-NO 2A/240 Vac or voltage to drive SSR 13V max. @ 1mA, 10.5V min. @ 15mA ±10%</p> <p>OUT 3: Relay SPST-NO 2A/240 Vac or voltage to drive SSR 13V max. @ 1mA, 10.5V min. @ 15mA ±10%</p> <p>OUT 4 programmable: voltage output to drive SSR 13V max. @ 1mA, 10.5V min. @ 22mA ±10% or transmitter supply</p>
FUNCTIONAL	
Control	PID single or double action, ON/OFF, ON/OFF with Neutral Zone Autotuning and Selftuning algorithms, Overshoot control
Alarms	3 alarms programmable as absolute, deviation, band
Set Point	4 programmable Set Points
Signal retransmission	Measuring or Set Point retransmission
Serial communication	TTL (standard) + RS485 (optional), ModBus RTU protocol
Baud rate	1200... 38400 baud
Working hours counters	A cumulative non-erasable counter and a second one resettable with alarm
Wattmeter function	Instantaneous power, time consumption
EVOogreen	Stand-by mode of display, selectable
Programmer (optional)	Up to 8 segments with guaranteed soak
Timer (optional)	Independent with 5 function modes
GENERAL	
Power supply	24 Vac/Vdc ± 10%, 100... 240 Vac/Vdc -15%/+ 10% (50/60 Hz)
Power consumption	7 VA max
Dimensions / Weight	78 x 35 mm - 200 g
Mounting	On OMEGA DIN A rail or on wall
Connections	24 screw terminals 2.5 mm ² (AWG22... AWG14) fix, plug-in or clamp type
Front protection degree	IP 20
Operating / storage temperature	0... 50°C (32... 122°F)/-20... +70°C (-4... 158°F)
Operating humidity	20... 95 RH% without condensation
Conformity	EN 61010-1, EN 61326

HOW TO ORDER

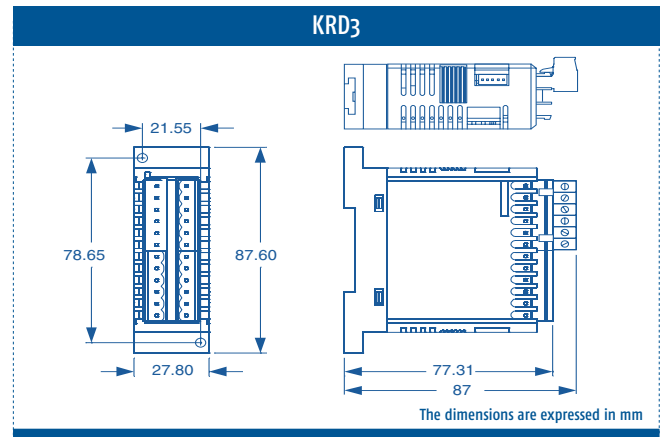
To compose the part number, pls. choose one of the option for each variable

KRD3	CODE
VERSION	
Controller	-
Controller + Timer	T
Controller + Timer + Programmer	P
POWER SUPPLY	
24 Vac/Vdc	L
100... 240 Vac	H
INPUT	
TC, RTD, mA, V, mV/digital input	C
OUT 1	
Relay SPDT 4A	R
Vdc for SSR driving	0
0/4... 20 mA, 0/2... 10V galvanically isolated	I
OUT 2	
Relay SPST-NO 2A	R
Vdc for SSR driving	0
Relay SPST-NO 2A for Servomotor	M
Not available	-
OUT 3	
Relay SPST-NO 2A	R
Vdc for SSR driving	0
Relay SPST-NO 2A for Servomotor	M
Not available	-
OUT 4	
Digital input or digital output or transmitter supply	D
RS485	
Available (Standard)	S
Not available (Optional)	-
CONNECTION	
Plug-in screw type	E
Plug-in screw type, fix part only	N
Clamp type	M
Fix screw type (standard)	-

CONNECTIONS



DIMENSIONS



INDUSTRIAL CONTROLLERS

ADVANCED PROGRAMMER CONTROLLERS

DIN RAIL MOUNTING CONTROLLERS

THERMOSTATS ANALOGUE CONTROLLERS

SPECIAL CONTROLLERS AND "CUSTOM"

PAC SYSTEMS

PRE-PROGRAMMED SYSTEMS

PLC AND OPERATOR PANELS

TIMERS COUNTERS POWER LIMITERS

INDICATORS

I/O MODULES

SUPERVISION

COMBUSTION CONTROL

ACCESSORIES