

КМЗ

- 3-х ЦВЕТНЫЙ ДИСПЛЕЙ С ПОДСВЕТКОЙ LED
- АНАЛОГОВЫЙ ВЫХОД
- 8 СЕГМЕНТНАЯ ПРОГРАММА / ТАЙМЕР
- СЧЕТЧИК РАБОЧЕГО ВРЕМЕНИ



ОСОБЕННОСТИ

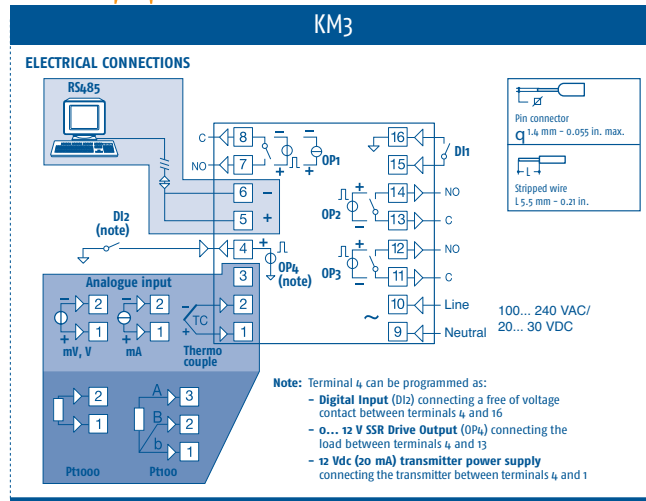
Дисплей		КМЗ
Двойная светодиодная подсветка	Основной дисплей: 4-х символьный, В 15.5 мм, 3 цвета: красный, зеленый и желтый Дополнительный дисплей: 4-х символьный В 7 мм, зеленый цвет	
Входы		
Универсальные входы	Термопары: J (-50... +1000°C), K (-50... +1370°C), S/R (-50... +1760°C), T (-70... +400°C) Infrared sensors: J or K Thermoresistances: Pt 100 3 wires and Pt 1000 2 wires (-200... 850°C/-328... 1562°F) Linear signals: 0/12... 60mV, 0/4... 20mA, 0/1... 5V, 0/2...10V Thermocouples: J (-50... +1000°C/-58... 1832°F), K (-50... +1370°C/-58... 2498°F), S/R (-50... +1760°C/-58...3200°F), T (-70... +400°C/-94... 752°F) Infrared sensors: J or K Thermistors: PTC (-55... +150°C/-67... 302°F), NTC (-50... +110°C/-58... 230°F) Linear signals: 0/12... 60mV, 0/4... 20mA, 0/1... 5V, 0/2...10V	
Точность измерения	± 0.5% span ±1 digit, (±1% span ±1 digit for T/c S type)	
Дискретные входы	1 or 2 according to instrument's part number (the 2nd digital input is in alternative to OUT4)	
Выходы		
До 4	OUT1: Relay SPST-NO 4A/240 Vac or in voltage to drive SSR 13V max @ 1mA or analogue 4... 20 mA galvanically isolated (option) OUT2: Relay SPST-NO 2A/240 Vac or in voltage to drive SSR 13V max @ 1mA, 11.5 min @ 15mA ±10% OUT3: Relay SPST-NO 2A/240 Vac or in voltage to drive SSR 13V max @ 1mA, 11.5 min @ 15mA ±10% OUT4 programmable: voltage output to drive SSR 13V max @ 1mA, 11.5 min @ 15mA ±10%, transmitter supply or 2nd digital input	
Функции		
Контроль	Single or double action PID, On/Off, Neutral Zone On/Off Autotuning and Selftuning algorithms, Overshoot control	
Alarms	3 programmable alarms as absolute, deviation, band	
Set Point	4 programmable Set Points	
Порты связи	TTL (standard) + RS485 (optional), protocol MODBUS RTU	
Скорость передачи	2400... 38400 baud	
2 Hour counters	A cumulative non-erasable counter and a second one resettable with alarm	
Wattmeter function	Instantaneous power, time consumption	
EVOgreen	Delayed stand by display, without operator	
Program (option)	Up to 8 segments with guaranteed soak	
Timer (optional)	Independent with 4 function modes	
Общие характеристики		
Power supply	100... 240 Vac/dc -15%/+ 10%, 24 Vac/dc ± 10% (50/60 Hz)	
Powe consumption	7 VA max	
Dimensions / Weight	48 x 48 mm (1/16 DIN) - depth 63 mm / 125g	
Mounting	Flush in panel 45 x 45 mm	
Connection	16 screw terminals 2.5 mm ² (AWG22.... AWG14) fix, plug-in or clamp type	
Front protection	IP 65 mounted on panel with gasket	
Operating and storage temperature	0... 50°C (32... 122°F)/-20... +70°C (-4... 158°F)	
Operating humidity	20... 95 RH% without condensation	
Conformity	EN 61010-1, EN 61326	

КОД ДЛЯ ЗАКАЗА

To compose the instrument part no, pls. choose one of the option for each variable

KM3	CODE
VERSION	
Controller	-
Controller + Timer	T
Controller + Timer + Programmer	P
POWER SUPPLY	
24 VAC/DC	L
100... 240 VAC	H
INPUT	
TC, RTD, mA, V, mV/ Digital input 1	C
TC, NTC, PTC, mA, V, mV/Digital input 1	E
OUT 1	
Relay SPST 4A	R
VDCxSSR	0
4...20 mA isolated (control)	I
OUT 2	
Relay SPST 2A	R
VDCxSSR	0
Not available	-
OUT 3	
Relay SPST 2A	R
VDCxSSR	0
Not available	-
IN/OUT 4	
Digital Input or Digital output or Tx supply	D
SERIAL COMMUNICATION	
RS485	S
TTL Modubus	-
TERMINALS	
Plug-in screw type	-

ПОДКЛЮЧЕНИЕ



РАЗМЕРЫ

