

# ET3

- PROGRAMMABLE HERMOSTATS
- NFC PROGRAMMING
- VOLTAGE ALARM
- UP TO 2 INPUTS, UP TO 3 OUTPUTS



## FEATURES

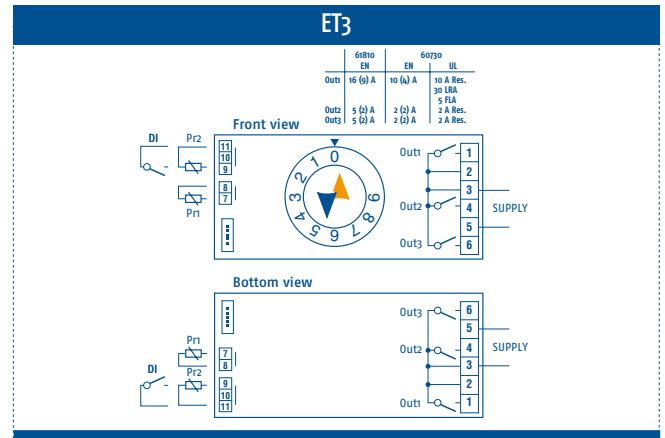
| INPUTS                          |  |
|---------------------------------|--|
| Two                             | ET3<br>2x DOUBLE INSULATION Thermistors NTC 103AT-2 (10kΩ at 25°C)<br>Part no. NTC--A167012A<br>-50... +109°C (-58... +228°F)  |
| Digital input                   | 1 digital input for free voltage contacts  |
| OUTPUTS                         |  |
| Three                           | Up to 3 relay outputs.<br>OUT1: Relay SPST-NO (16A - 1HP 250V, 1/2HP 125 VAC);<br>EN 61810: 16 (9) A - EN 60730: 10 (4) A - UL 60730: 12 A Res., 30 LRA, 5 FLA<br><br>OUT2: Relay SPST-NO (5A - 1/10HP 125/250 VAC);<br>EN 61810: 5 (1) A - EN 60730: 2 (1)A -<br>UL 60730: 2 A Res.Gen.Use<br><br>OUT3: Relay SPST-NO (5A - 1/10HP 125/250 VAC);<br>EN 61810: 5 (1) A - EN 60730: 2 (1)A -<br>UL 60730: 2 A Res.Gen.Use |
| Relay operations                | 100000 operations  |
| FUNCTIONAL                      |  |
| Control                         | ON/OFF   |
| Voltage alarm                   | Available  |
| Defrosting control              | At interval time by<br>stopping compressor,<br>electric heating or hot gas/reverse cycle   |
| Programming                     | Through TTL port,<br>NFC mode (Optional)   |
| GENERAL                         |  |
| Power supply                    | 230 VAC, 115 VAC, 100... 240 VAC ±10% (50/60 Hz)<br>To be used with DOUBLE INSULATION sensors only<br>Part no. NTC--A16700A1   |
| Power consumption               | 5 VA approx. (Supply 115V) - 10 VA approx. (Supply 230V)   |
| Dimensions / Weight             | 82 x 38 mm - depth 33.5 mm / 65g approx.   |
| Set point selection             | With 10 positions knob<br>Position 0 = OFF   |
| Connections                     | Inputs: plug-in terminals<br>Supply and outputs: Faston  |
| Mounting                        | Flush in panel   |
| Rear protection degree          | IP20   |
| Operating / storage temperature | 0... +50°C (32... +122°F) / -25... +60°C (-13... +140°F)   |
| Operating humidity              | <95 RH% without condensation   |
| Conformity                      | Directive 2004/108/CE (EN55022: class B; EN61000-4-2: 8kV air, 4kV cont.; EN61000-4-3: 10V/m;<br>EN61000-4-4: 2kV supply and relay outputs, 1kV inputs; EN61000-4-5: supply 2kV com. mode, 1 kV diff. mode;<br>EN61000-4-6: 3V),<br>Directive 2006/95/CE (EN 60730-1, EN 60730-2-9), Regulation 37/2005/CE<br>(EN13485 air, S, A, 2, -50°C +90°C used with NTC 103AT11 probe).<br>UL/CSA 60730-1-2-9 File no. E206847    |

## HOW TO ORDER

To compose the part number, pls. choose one of the option for each variable

| ET3  | CODICE |
|--|--------|
| <b>NFC PROGRAMMING</b>                                 |        |
| Not available  | -      |
| Available  | N      |
| <b>POWER SUPPLY</b>                                    |        |
| 100... 240 VAC   | S      |
| 230 VAC  | V      |
| 115 VAC  | Z      |
| <b>OUT 1</b>   |        |
| Relay SPST-NO 16A-AC1                                  | R      |
| <b>OUT 2</b>   |        |
| Relay SPST-NO 5A-AC1                                   | R      |
| Not available  | -      |
| <b>OUT 3</b>   |        |
| Relay SPST-NO 5A-AC1                                   | R      |
| Not available  | -      |
| <b>POWER SUPPLY AND OUTPUTS TERMINALS</b>              |        |
| Faston   | F      |
| <b>INPUTS TERMINALS</b>                                |        |
| 2 inputs with 2 + 3-pole male connectors               | 1      |
| 2 inputs with 90 ° 2 + 3-pole male connectors          | 2      |
| 2 inputs with connectors with 2 + 3-pole fixing clamps | 3      |
| <b>KNOB AND SERIGRAPHY</b>                             |        |
| Knob and serigraphy for horizontal mounting            | 0      |
| Knob and serigraphy for vertical mounting              | V      |
| Without knob   | -      |

## CONNECTIONS



## DIMENSIONS

